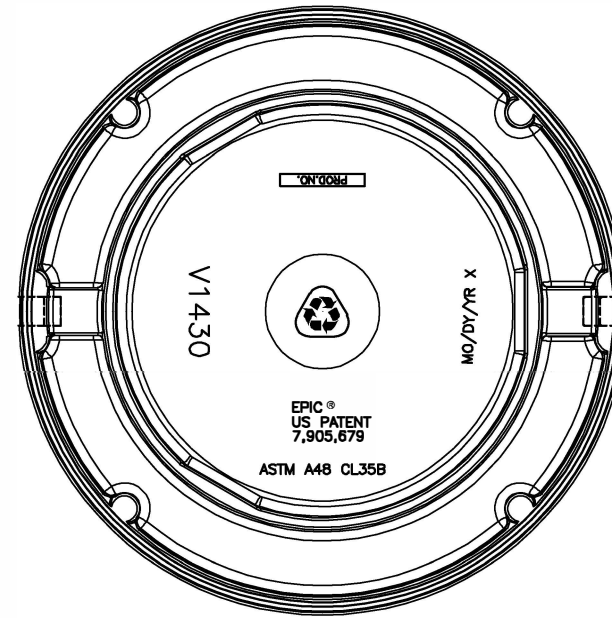
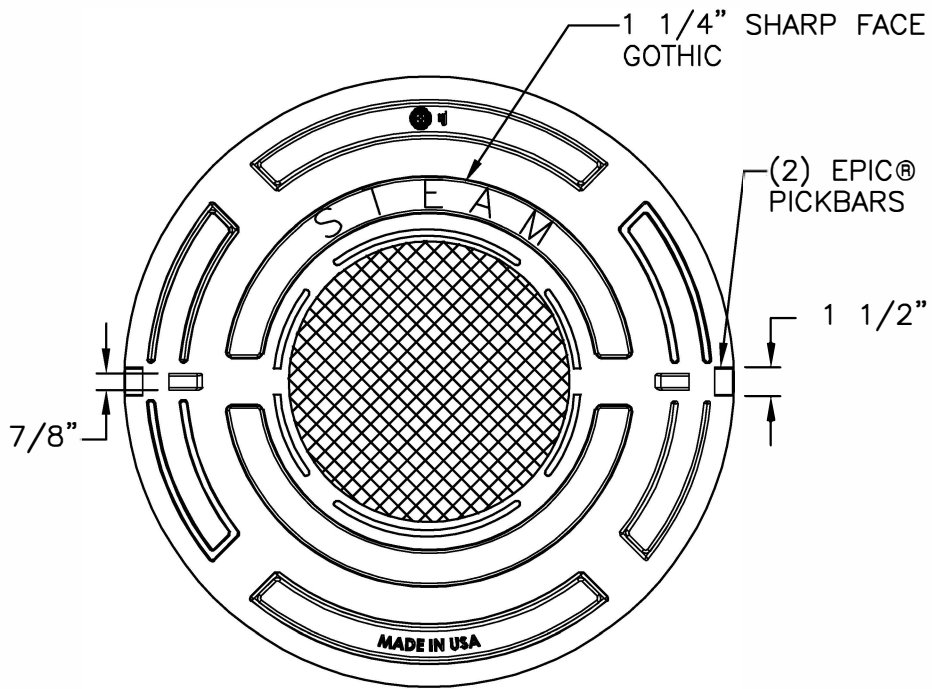


V1430 Cover



BOTTOM VIEW

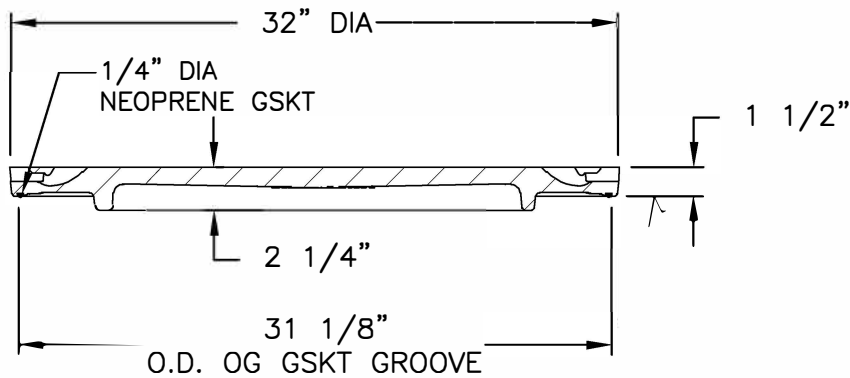
Product Number
414300062

Design Features

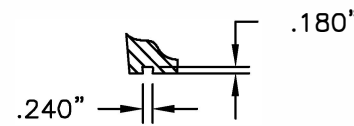
- Materials
Gray Iron (CL35B)
- Load Rating
Heavy Duty
- Open Area
n/a
- Coating
Undipped
- √ Designates Machined Surface

Certification

- ASTM A48
-
-
- Country of Origin: USA



COVER SECTION



GASKET GROOVE DETAIL

Supplied By:
**TRENCHDRAIN
SUPPLY**
877-903-7246
www.trenchdrainsupply.com

Drawing Revision

5/20/2019 Designer: MAH
5/19/2023 Revised By: MAH

Disclaimer

Weights (lbs./kg) dimensions (Inches/mm) and drawings provided for your guidance. We reserve the right to modify specifications without prior notice.

CONFIDENTIAL: This drawing is the property of EJ GROUP, Inc., and embodies confidential information, registered marks, patents, trade secret information, and/or know how that is the property of EJ GROUP, Inc. Copyright © 2012 EJ GROUP, Inc. All rights reserved.

Contact

877.903.7246
www.trenchdrainsupply.com

ORIGINAL SERIES V1420-1